

2215/25/35
STRAND CENTURY

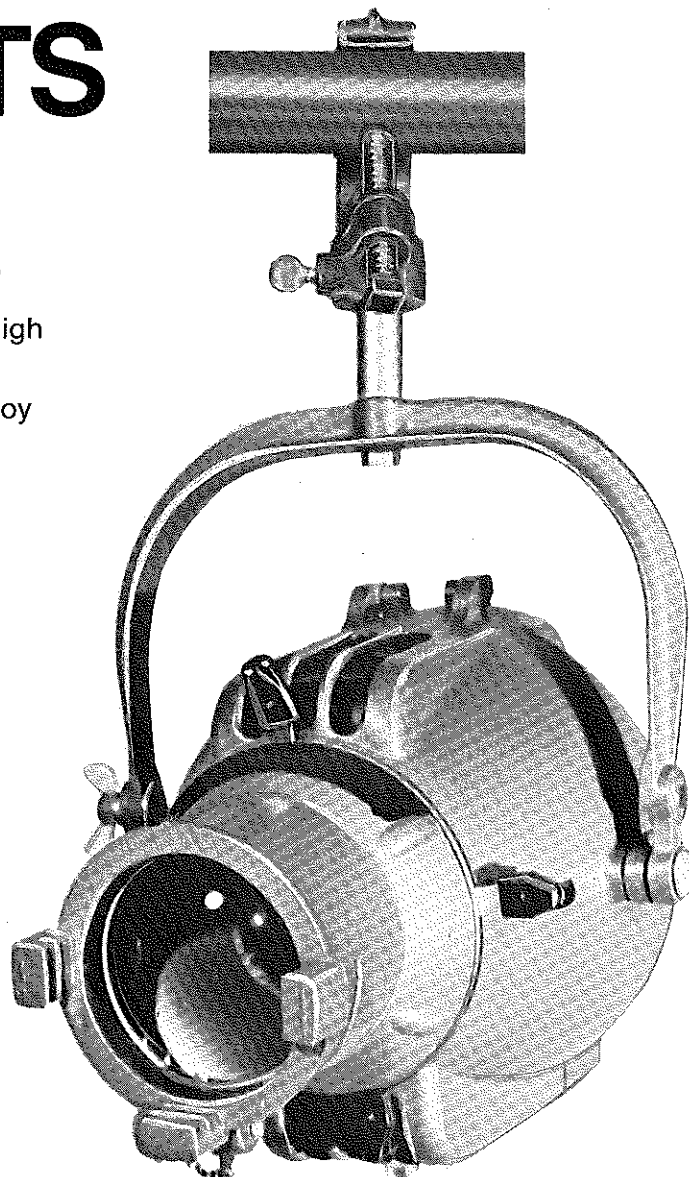
PROFILE SPOTLIGHTS

3½" (90mm) 500W

High efficiency, precise beam control.

An essential spotlight for theatres, television and high intensity architectural accent lighting.

- Compact design. Pressure die-cast aluminum alloy construction.
- Four push shutters and iris slot for precision beam control.
- Polished anodised aluminum reflectors engineered for maximum efficiency.



Cat. No.	Lenses
2215	1 - 3½" x 5" (90 mm x 125 mm) plano-convex lens
2225	1 - 3½" x 4" (90 mm x 102 mm) stepped lens
2235	2 - 3½" x 5" (90 mm x 125 mm) plano-convex lenses
	Accessories
1107	Additional metal color frame
1162	Color change wheel
1356	Drop-in 12-leaf iris

Strand Century Profile Spotlights

3 1/2" (90mm) 500W

Specifications

This unit shall be a 500W ellipsoidal reflector spotlight with a medium prefocus socket to accommodate a tungsten-halogen or a conventional incandescent lamp, a spherical annular front reflector, a faceted ellipsoidal rear reflector, four push shutters and an iris slot, all mounted within a die-cast aluminum housing.

The reflectors shall be of polished anodised aluminum. The 3 1/2" x 5" (90 mm x 125 mm) plano convex lenses, or 3 1/2" x 4" (90mm x 102mm) stepped lens shall be mounted in a sliding die-cast lens tube secured by a safety chain and locked by a tommy-bar thumb screw. This tube shall be fitted with heavy duty color frame holders. A color frame shall also be supplied.

A top-hinged latching rear assembly shall permit rear internal access for removal of the burner housing, for relamping or for opening the central body of the unit for cleaning.

The shutters and gate assembly shall be of special heat resisting alloys. Adequate ventilation shall be provided in the form of openings in the body surrounding the reflector, the lens tube and between the burner and reflector housing.

Each unit shall be supplied with a malleable iron clamp to grip up to 2" (51 mm) pipe, a die-cast aluminum yoke with locking handles and 39" (1 m) flexible, heat resisting cable leads.

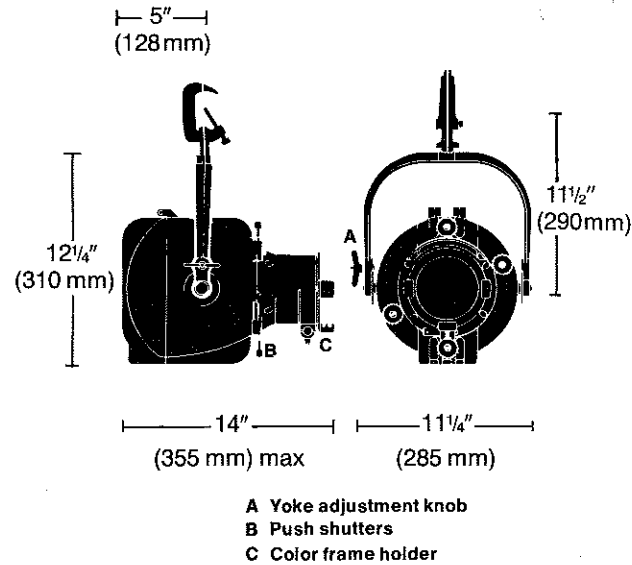
Exterior finish shall be baked enamel and the entire unit shall be CSA approved. Weight: 7 lbs. (3.2 kg.).

2215 This unit shall have a 20° beam angle and a 20° field angle and shall produce 87 footcandles at 15' (970 lux at 4.5m) maximum using a BTL lamp.

2225 This unit shall have a 30° beam angle and a 32° field angle and shall produce 55 footcandles at 20' (605 lux at 6m) maximum using a BTL lamp.

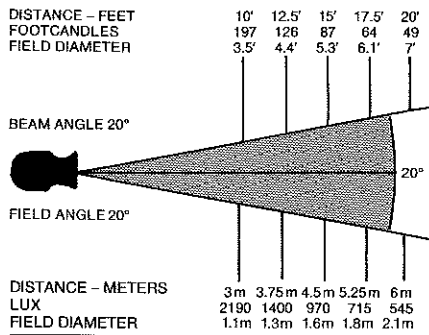
2235 This unit shall have a 36° beam angle and a 36° field angle and shall produce 48 footcandles at 15' (540 lux at 4.5m) maximum using a BTL lamp.

2215/2225/ 2235



Photometrics

2215



LAMP SHOWN: BTL 500 WATT 500 HOUR 3050°K
OTHER LAMPS: MULTIPLY INTENSITY BY FACTOR GIVEN (MF)
 MF LAMP

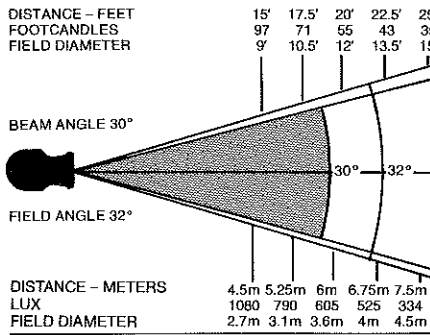
.4	558C 250 WATT 200 HOUR 3000°K
.95	559C 500 WATT 200 HOUR 3000°K
1.2	BTM 500 WATT 100 HOUR 3200°K

FOOTCANDLES = $\frac{19,700}{\text{Distance}^2 (\text{Ft})}$ **LUX** = $\frac{19,700}{\text{Distance}^2 (\text{m})}$

FIELD DIAMETER = Distance x .35

Beam Angle - where intensity drops to 50% of maximum
Field Angle - where intensity drops to 10% of maximum

2225



LAMP SHOWN: BTL 500 WATT 500 HOUR 3050°K
OTHER LAMPS: MULTIPLY INTENSITY BY FACTOR GIVEN (MF)
 MF LAMP

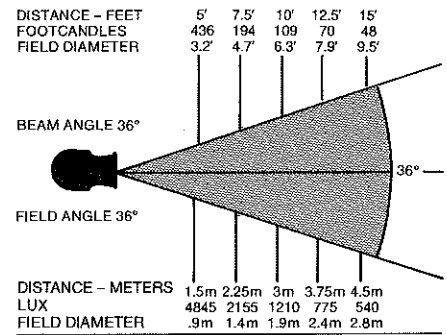
.4	558C 250 WATT 200 HOUR 3000°K
.95	559C 500 WATT 200 HOUR 3000°K
1.2	BTM 500 WATT 100 HOUR 3200°K

FOOTCANDLES = $\frac{22,000}{\text{Distance}^2 (\text{Ft})}$ **LUX** = $\frac{22,000}{\text{Distance}^2 (\text{m})}$

FIELD DIAMETER = Distance x .6

Beam Angle - where intensity drops to 50% of maximum
Field Angle - where intensity drops to 10% of maximum

2235



LAMP SHOWN: BTL 500 WATT 500 HOUR 3050°K
OTHER LAMPS: MULTIPLY INTENSITY BY FACTOR GIVEN (MF)
 MF LAMP

.4	558C 250 WATT 200 HOUR 3000°K
.95	559C 500 WATT 200 HOUR 3000°K
1.2	BTM 500 WATT 100 HOUR 3200°K

FOOTCANDLES = $\frac{10,900}{\text{Distance}^2 (\text{Ft})}$ **LUX** = $\frac{10,900}{\text{Distance}^2 (\text{m})}$

FIELD DIAMETER = Distance x .63

Beam Angle - where intensity drops to 50% of maximum
Field Angle - where intensity drops to 10% of maximum



STRAND CENTURY

A COMPANY WITHIN THE RANK ORGANISATION

STRAND CENTURY INC.

20 Bushes Lane
 Elmwood Park, New Jersey 07407
 U.S.A.
 Tel: (201) 791-7000 (212) 564-6910
 Telex: 130322

STRAND CENTURY INC.

5432 West 102nd Street
 Los Angeles, California 90045
 U.S.A.
 Tel: (213) 776-4600
 Telex: 653508

STRAND CENTURY LIMITED

6334 Viscount Road
 Mississauga, Ontario, Canada
 L4V 1H3
 Tel: (416) 677-7130
 Telex: 06968646