

Fresnelite® Spotlight

6" (152mm) 500W, 1000W

High-intensity spotlight with variable soft-edged beam and even field

- ▶ New lens and reflector design for maximum performance
- ▶ Accepts up to 1000W lamp for throws of up to 40'
- ▶ Lightweight extruded aluminum body
- ▶ Vented lens door for longer color life
- ▶ Spot-to-flood focus adjustment engineered for smooth operation
- ▶ Excellent barndooring characteristics
- ▶ All handles thermally insulated for cool operation
- ▶ Accessories include a lightweight rotating barndoor and a safety clip for positive lock-in of barndoor and color frame

Specifications:

This unit shall be a variable focus fresnel spotlight designed to accommodate tungsten-halogen or incandescent medium prefocus base lamps in 500, 750, and 1000 watt sizes. The housing shall be constructed of ribbed extruded aluminum sides between die formed steel cover plates. Lens door construction shall be of spun steel for strength and durability. Die cast aluminum accessory clips shall be screw retained to the lens door and shall be capable of holding a combination of a barndoor and three color frames and/or scrims.

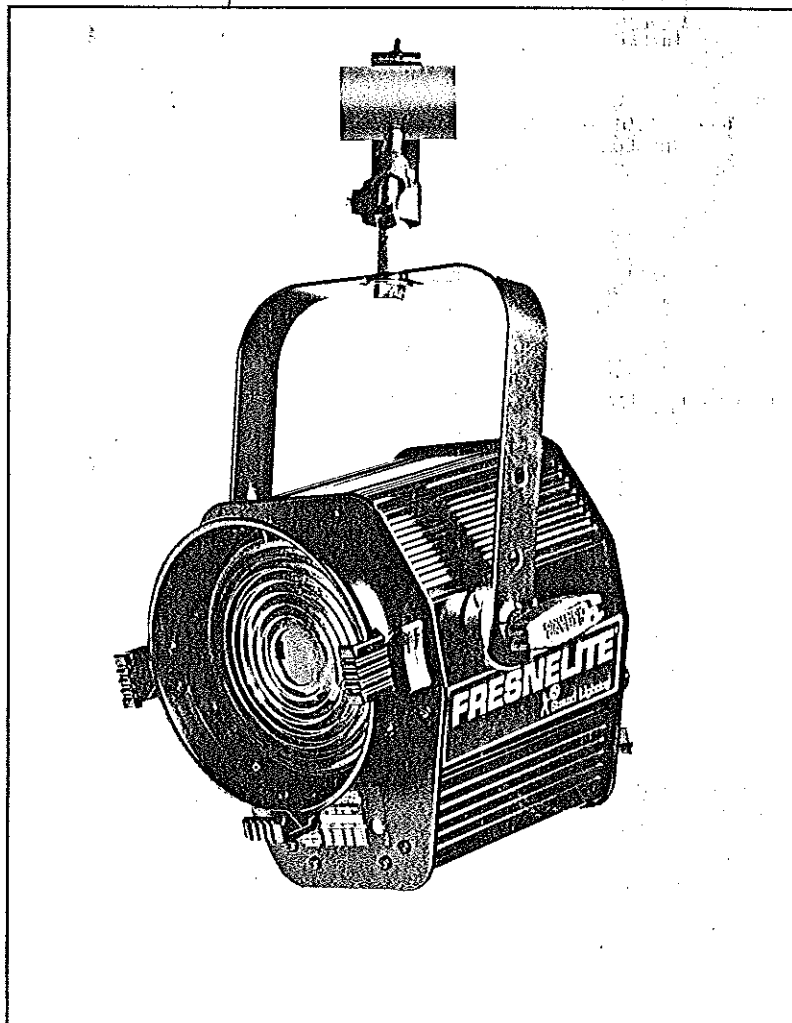
Lamp and reflector access shall be through the side-hinged lens door. The door shall be secured with a spring-loaded stainless steel latch with a thermally insulated knob.

The 6" (152mm) fresnel lens shall be molded of high-quality heat-resistant borosilicate glass and retained by three molded plastic stand-off pieces. These stand-offs shall be designed to allow an air gap around the lens for additional ventilation of the lens and color media.

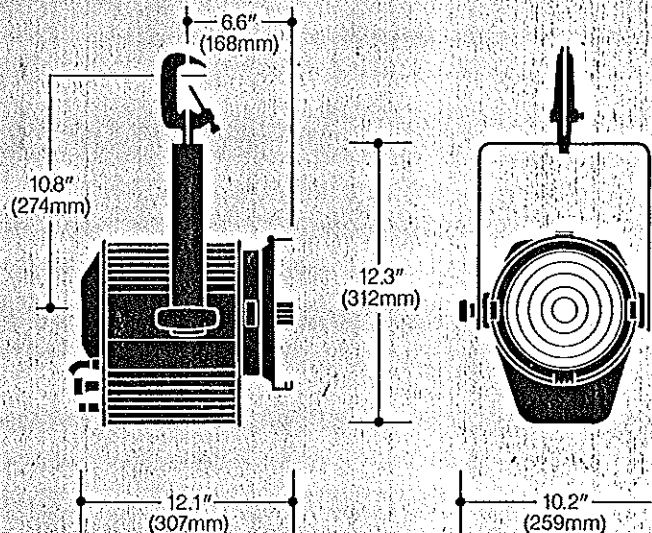
Flood to spot focusing shall be performed at the rear of the unit by means of a thermally insulated sweep arm. Focus position shall be indicated by a calibrated label.

Each unit shall be supplied with a malleable iron C-clamp to grip up to 2" (51mm) pipe, a steel yoke and 3' (0.9m) leads in fiberglass sleeving.

The unit shall have a 6° to 55° variable 1/2-peak angle and a 13° to 65° 1/10-peak angle and shall produce 194 footcandles at 30' (2160 lux at 9m) maximum (spot focus) and 46 footcandles at 20' (514 lux at 6m) maximum (flood focus) using a BTR lamp. Exterior finish shall be black baked enamel. Weight: 10.5 lbs. (4.8kg). The entire unit shall be U.L. listed.



Dimensions:



Weight: 10.5 lbs. (4.8kg)

Fresnelite Spotlight

6" (152mm) 500W, 1000W

Accessories:

Color or diffuser frame	1108
Eight-way barndoor	1406
High hat	1332
Accessory safety clip assembly	1350
Safety cable	1500

Performance Data:

Lamp: BTR, 1000W, 200 Hrs., 3200°K

1/2 Peak Angle — Beam spread where intensity drops to 50% of maximum.

1/10 Peak Angle — Beam spread where intensity drops to 10% of maximum.

Other Lamps: multiply intensity by M.F. below:

Lamp	Watts	M.F.	Life (Hrs.)	Color Temp. (°K)
BTL	500	.40	500	3050
BTM	500	.47	100	3200
BTN	750	.62	500	3050
BTP	750	.73	200	3200
CP24 220/240V	1000	.95	200	3200

Spot Focus

Distance — Feet	20	25	30	35	40
Footcandles — at Center	438	280	194	143	109
Diameter — Feet	4.6	5.7	6.8	8	9.1

1/2-Peak Angle — 6°

1/10-Peak Angle — 13°

Distance — Meters	6	7.5	9	10.5	12
Lux — at Center	4861	3111	2160	1587	1215
Diameter — Meters	1.4	1.7	2.1	2.4	2.7

Performance at Any Distance: Footcandles or Lux = 175,000/Distance²
Diameter = Distance x .23

Flood Focus

Distance — Feet	10	15	20	25	30
Footcandles — at Center	185	82	46	30	21
Diameter — Feet	12.7	19	25.5	31.9	38.2

1/2-Peak Angle — 55°

1/10-Peak Angle — 65°

Distance — Meters	3	4.5	6	7.5	9
Lux — at Center	2056	914	514	329	228
Diameter — Meters	3.8	5.7	7.6	9.6	11.5

Performance at Any Distance: Footcandles or Lux = 18,500/Distance²
Diameter = Distance x 1.27



Los Angeles — 18111 South Santa Fe Avenue, P.O. Box 9004, Rancho Dominguez, California 90224 Tel: (213) 637-7500, Telex: 664741
 London — P.O. Box 51, Great West Road, Brentford, Middlesex TW8 9HR Tel: 01 560 3171, Telex: 27976
 Toronto — 6490 Viscount Road, Mississauga, Ontario, Canada L4V 1H3 Tel: (416) 677-7130, Telex: 06968646
 West Germany — 3340 Wollenbüttel 16 — Salzdahlum Tel: 0 53 31/79 51-53, Telex: 95641
 Hong Kong — 802 Houston Centre, 63 Mody Road, Tsimshatsui East, Kowloon Tel: 3-685161, Telex: 44953

A SUBSIDIARY OF THE PAPER ORGANISATION

Facilities in Paris and New York

Strand Lighting Inc. ... to change without notice