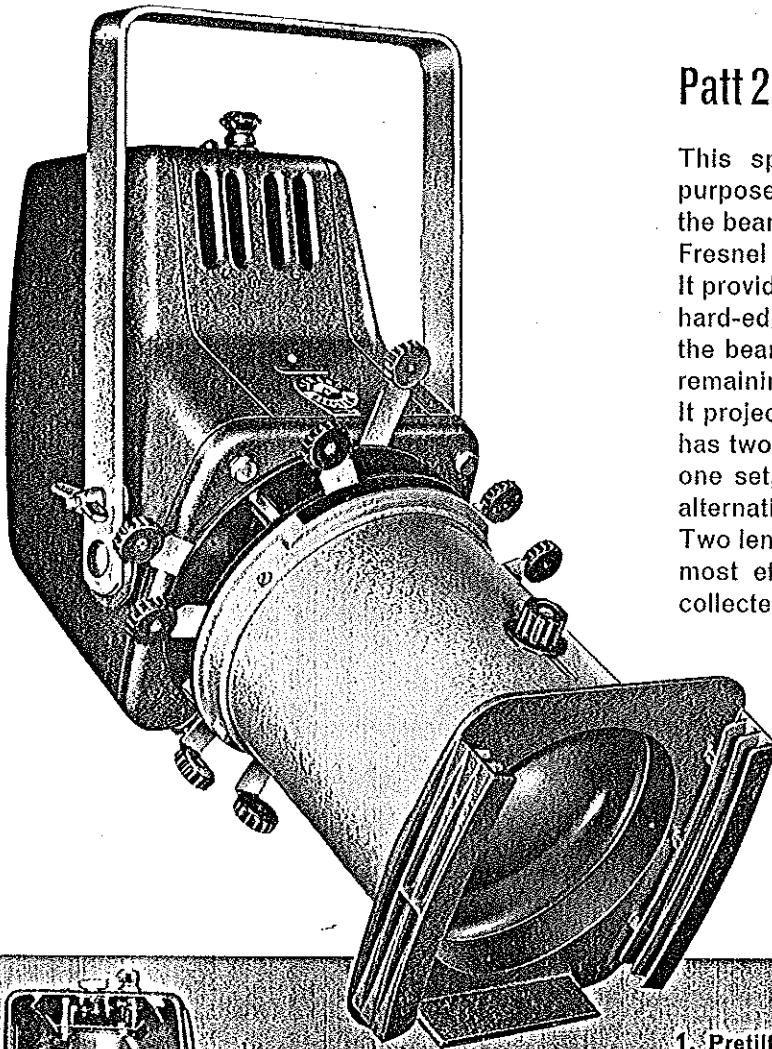




BI-FOCAL SPOTS



Patt 264, Patt 264W, 750/1000 Watt

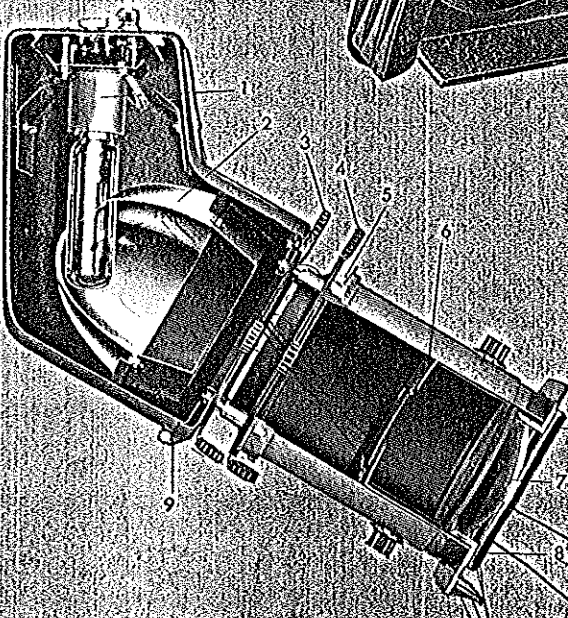
This spotlight is the only modern general-purpose unit for creative lighting as it embodies the beam characteristics of both the Profile and Fresnel spotlights in one compact unit.

It provides accurate control of beam shape with hard-edge cut-off on any one or more sides of the beam with indeterminate soft-edges on the remaining sides.

It projects an image of the gate aperture which has two sets of four built-in masking shutters - one set, in focus, for hard-edges and another alternative set, out of focus, for soft-edges.

Two lens combinations are available so that the most efficient use can be made of the light collected at the gate by an ellipsoidal reflector.

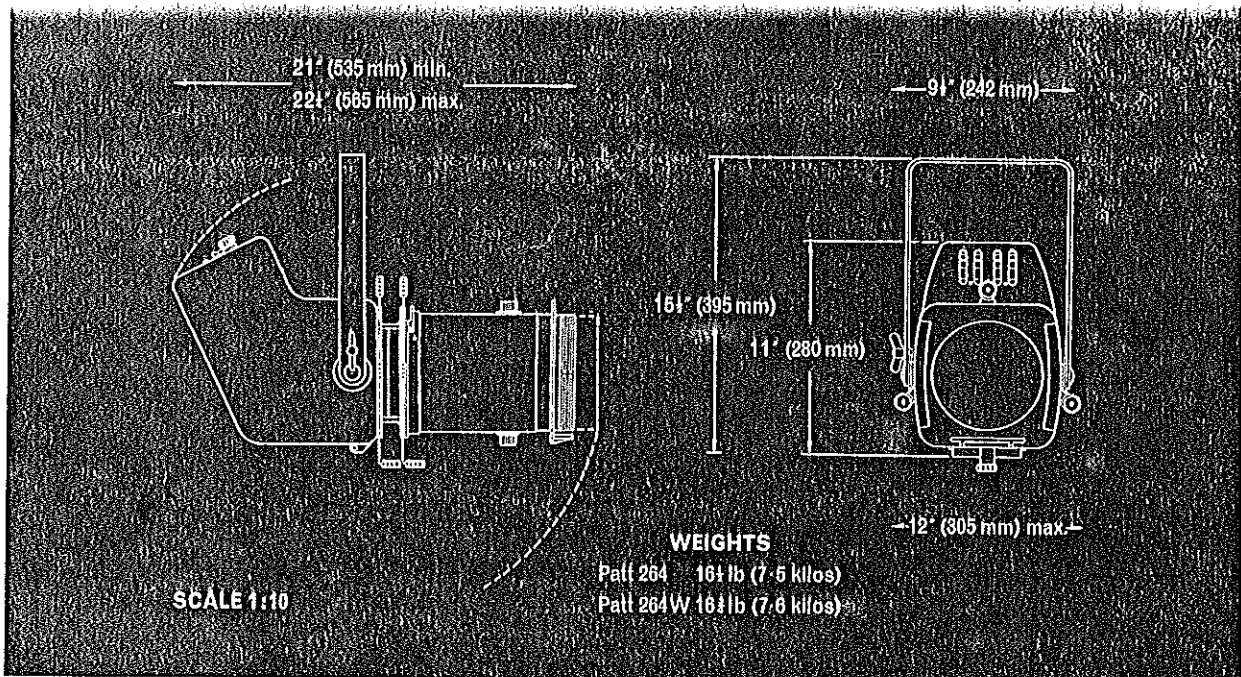
British and Foreign patents pending.



1. Prefilled medium pefocus lampholder
2. 6-in. diameter faceted ellipsoidal reflector
3. Four soft-edge masking shutters with red knobs
4. Four hard-edge masking shutters with black knobs
5. Gate runners for optional addition of an iris or a purpose made mask
6. Fixed diaphragm to intercept stray light, also mount for additional 3½×9-in. lens for wide angle model, Patt 264W
7. 6×8-in. lens in sliding, but captive, tube. Lens is reversed for wide angle model
8. Double colour frame runners
9. Hinged gate and lens tube assembly for interior access

MALLABAR LTD.

375 HARGRAVE ST., WINNIPEG 2, MAN.



LAMPS & PERFORMANCE DATA	THROW DISTANCE		BEAM SPREAD		ILLUMINATION					
	feet	metres	feet	metres	1000W 120V 1M/T12/2		1000W 240V Class T/A or Philips 6291C		750W 120V 750T12/9	
					f.c.	lux	f.c.	lux	f.c.	lux
Pattern 264 BEAM ANGLE 17° In which Intensity varies 2:1	30	10	9	3	83	750	73	650	56	500
	40	15	12	4.5	47	335	39	280	31	220
	50		15		30		25		20	
Pattern 264W BEAM ANGLE 26° In which Intensity varies 2:1	20	7	9	3	75	610	67	550	63	510
	25	9	12	4	48	375	43	330	40	310
	30		14		33		30		28	

SPECIFICATION

The spotlight shall be constructed of zinc coated steel pressings with baffled ventilation slots and aluminium die-castings and shall contain a prefocus lampholder, an ellipsoidal reflector, four individually operated soft-edge shutters, four individually operated hard-edge shutters and an adjustable lens.

The medium prefocus (P.28) porcelain lampholder for a 750 or 1000 watt base up burning tubular projection lamp shall be pre-tilted 30° from the vertical and shall be mounted on a removable assembly, normally secured by two captive thumb fasteners, and fitted with 30-in. (0.75m) heat-resisting 3-core flexible cable provided with a strain relief gland.

The 8 1/2-in. (160mm) diameter faceted ellipsoidal reflector shall be of polished anodised aluminium. Both sets of four shutters shall be of stainless steel and provided with external heat-resisting operating knobs. Gate runners shall be provided for the optional addition of an iris diaphragm.

The lens shall be recessed within a double skin tube with a fixed diaphragm and shall slide in two slots each with a heat-resisting knob. Double die-cast aluminium colour frame runners shall be provided and one 6 1/4 x 6 1/4-in. (165 x 165mm) metal colour frame supplied.

The lens fitted shall be as follows:
 Pat 264 - one 6 x 8-in. (150 x 200mm) plano convex.
 Pat 264W - one 6 x 8-in. (150 x 200mm) plano convex and one 3 1/2 x 9-in. (90 x 230mm) heat-resisting plano convex lens fitted to the fixed diaphragm.

The exterior shall be smooth finished with epoxy resin hard hammer grey and the interior, excepting reflector and gate shutters, flat black.

The spotlight shall be mounted in a reversible cadmium plated mild steel fork with friction disc tilt clamp and 1/2-in. bolt and wing nut for suspension.

VARIATIONS available at time of manufacture
 6-ft (1.8m) heat-resisting flexible cable
 Tilt and swivel scale indication.

ACCESSORIES
 Ref. 625. 12-leaf iris diaphragm.
 Ref. 644. 3 1/2 x 9-in. HRPC lens to convert Pat 264 to 264W.