

# LEKOLITE® SPOTLIGHT

2321/22  
STRAND CENTURY

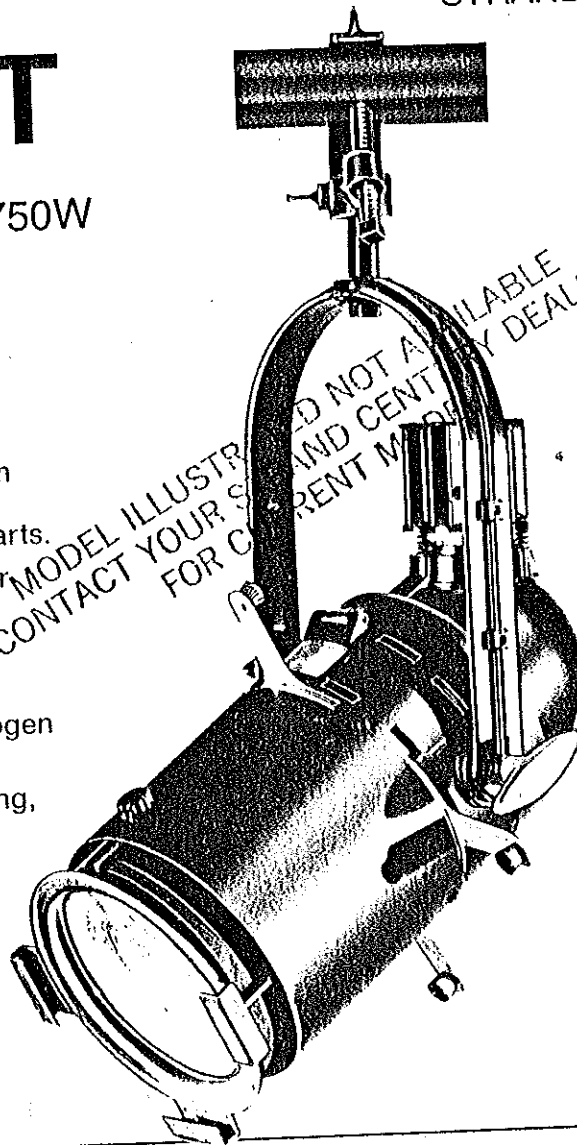
6" x 9" (152 mm x 229 mm) 500W/750W

Die-cast, high efficiency,  
precise beam control.

A versatile spotlight for theatre, television and high intensity architectural accent lighting.

- Compact design, precision die-cast aluminum construction for perfect fitting of components with accurate operating control of moveable parts.
- Four push shutters and pattern holder slot for precision beam control – or iris with 2322.
- Flatted ellipsoidal specular Alzak reflector engineered for maximum efficiency.
- Choice of various single ended tungsten-halogen or conventional incandescent lamps.
- Two spring loaded latches for quick relamping, easy maintenance – one to release burner for relamping, the second to release rear body for access to internal components.

MODEL ILLUSTRATED NOT AVAILABLE  
CONTACT YOUR STRAND CENTURY DEALER.  
FOR CURRENT MODEL DEALER.



Cat. No.	Lenses
2321	2 - 6" x 9" (152 mm x 229 mm) plano-convex lenses with four push shutters
2322	2 - 6" x 9" (152 mm x 229 mm) plano-convex lenses with iris
Accessories	
1108	Color or diffuser frame
1335	High Hat
1342	Pattern Holder
1352	Set of 6 patterns
1413	Stripped glass color filter (specify color)
1540	15" (381 mm) Sidearm with clamp and sliding tee
1541	24" (610 mm) Sidearm with 2 pc. clamp and sliding tee

CENTURY 77 IOP

CENTURY 77 IOP

# Strand Century Lekolite® Spotlight

6" x 9" (152 mm x 229 mm) 500W/750W

2321/2322

## Specifications

This unit shall be a 500W/750W ellipsoidal reflector spotlight with a medium prefocus socket to accommodate a tungsten-halogen or conventional incandescent lamp, a flatted ellipsoidal specular Alzak processed aluminum reflector, four push shutters and a template slot, all mounted within a die-cast aluminum housing.

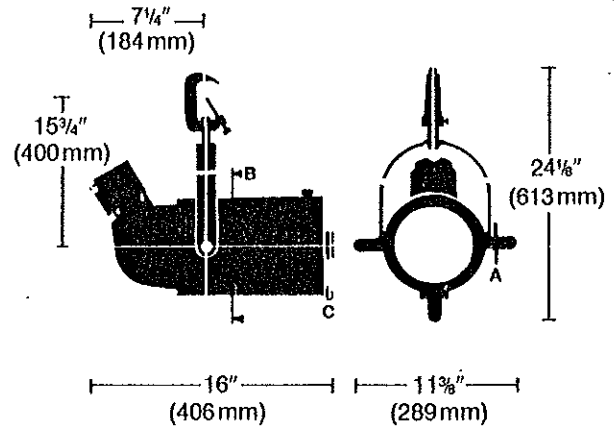
The two 6" x 9" (152 mm x 229 mm) ground and polished Pyrex plano-convex lenses shall be mounted in a die-cast aluminum lens tube, designed to provide for sharp or soft definition of the beam without opening a slot for passage of stray light rays or allowing extraneous internal reflections from the lens tube. This tube shall be fitted with heavy duty color frame holders. Conveniently located spring loaded latches shall permit ready removal of the burner housing for relamping or opening of the central body of the unit for cleaning.

The shutters and gate assembly shall be of special heat resisting alloys. Adequate ventilation shall be provided in the form of openings in the body completely surrounding the reflector, the lens tube and between the burner and reflector housing. Further reduction of the temperature shall be accomplished through the use of a finned heat sink around the lamp receptacle burner body.

Each unit shall be supplied with a malleable iron clamp to grip up to 2" (51 mm) pipe, a die-cast aluminum yoke with locking handle and 3' (0.9m) asbestos leads. Exterior finish shall be baked enamel and the entire unit shall be U.L. listed and CSA approved in Canada. Weight: 15 lbs. (6.8 kg.).

This unit shall have a 24° beam angle and a 40° field angle and shall produce 77 footcandles at 25' (850 lux at 7.5m) maximum using an EGF lamp.

NOTE: To specify units with irises, use 2322.



- A Yoke adjustment knob
- B Push shutters
- C Color frame holder.

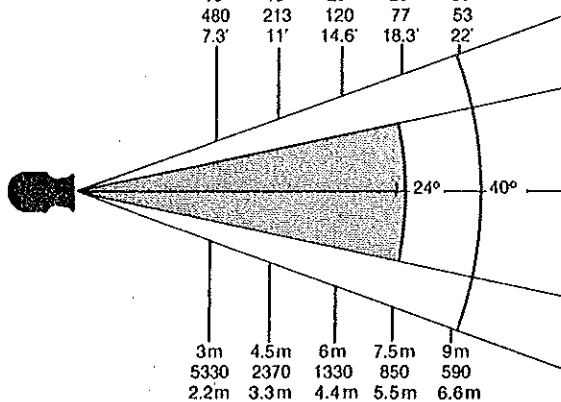
## Photometrics

DISTANCE - FEET  
FOOTCANDLES  
FIELD DIAMETER

10'	15'	20'	25'	30'
480	213	120	77	53
7.3'	11'	14.6'	18.3'	22'

BEAM ANGLE 24°

FIELD ANGLE 40°



DISTANCE - METERS  
LUX  
FIELD DIAMETER

3m	4.5m	6m	7.5m	9m
5330	2370	1330	850	590
2.2m	3.3m	4.4m	5.5m	6.6m

LAMP SHOWN: EGF 750 WATT 300 HOUR 3200°K  
OTHER LAMPS: MULTIPLY INTENSITY BY FACTOR GIVEN (MF)

MF	LAMP
.5	EGE 500 WATT 2000 HOUR 3000°K
.65	EGC/EGD 500 WATT 300 HOUR 3100°K
.75	EGG 750 WATT 2000 HOUR 3000°K

$$\text{FOOTCANDLES} = \frac{48,000}{\text{Distance}^2 (\text{ft})} \quad \text{LUX} = \frac{48,000}{\text{Distance}^2 (\text{m})}$$

$$\text{FIELD DIAMETER} = \text{Distance} \times .73$$

Beam Angle - where intensity drops to 50% of maximum  
Field Angle - where intensity drops to 10% of maximum



**STRAND  
CENTURY**

A COMPANY WITHIN THE RANK ORGANISATION

### STRAND CENTURY INC.

20 Bushes Lane  
Elmwood Park, New Jersey 07407  
U.S.A.

Tel: (201) 791-7000 (212) 564-6910  
Telex: 130322

### STRAND CENTURY INC.

5432 West 102nd Street  
Los Angeles, California 90045  
U.S.A.

Tel: (213) 776-4600  
Telex: 653508

### STRAND CENTURY LIMITED

6334 Viscount Road  
Mississauga, Ontario, Canada  
L4V 1H3

Tel: (416) 677-7130  
Telex: 06968646