

# LEKOLITE® SPOTLIGHT

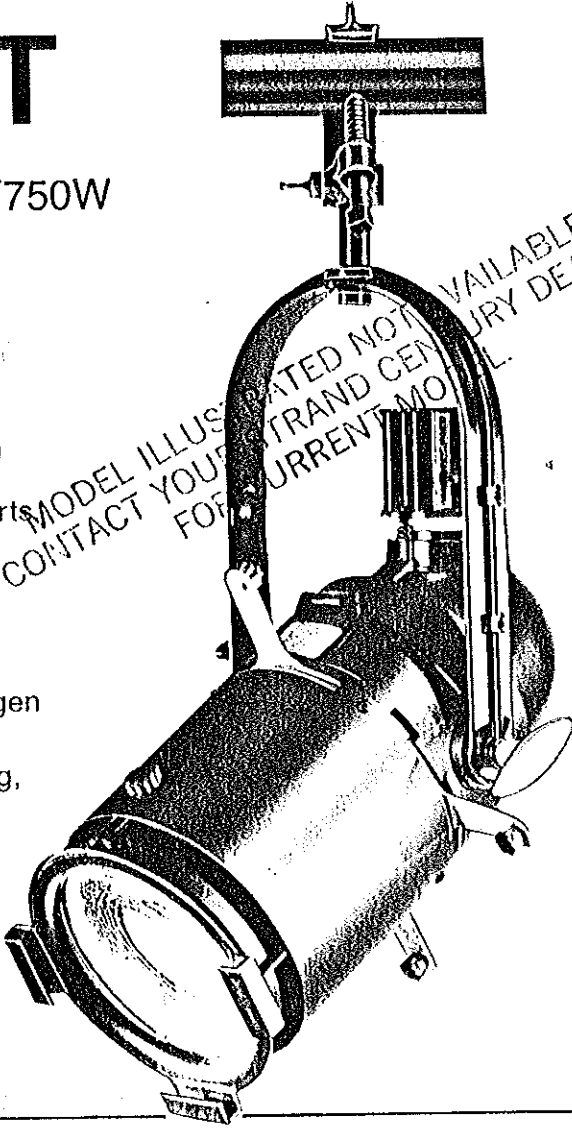
2331/32  
STRAND CENTURY

6" x 12" (152 mm x 305 mm) 500W/750W

Die-cast, high efficiency,  
precise beam control.

An essential spotlight for theatre, television and high intensity architectural accent lighting.

- Compact design, precision die-cast aluminum construction for perfect fitting of components with accurate operating control of moveable parts
- Four push shutters and pattern holder slot for precision beam control – or iris with 2332.
- Flatted ellipsoidal specular Alzak reflector engineered for maximum efficiency.
- Choice of various single ended tungsten-halogen or conventional incandescent lamps.
- Two spring loaded latches for quick relamping, easy maintenance – one to release burner for relamping, the second to release rear body for access to internal components.



MODEL ILLUSTRATED NOT AVAILABLE  
CONTACT YOUR STRAND CENTURY DEALER  
FOR CURRENT MODEL

Cat. No.	Lenses
2331	2 - 6" x 12" (152 mm x 305 mm) plano-convex lenses with four push shutters
2332	2 - 6" x 12" (152 mm x 305 mm) plano-convex lenses with iris.
	Accessories
1108	Color or diffuser frame
1335	High Hat
1342	Pattern Holder
1352	Set of 6 patterns
1413	Stripped glass color filter (specify color)
1540	15" (381 mm) Sidearm with clamp and sliding tee
1541	24" (610 mm) Sidearm with 2 pc. clamp and sliding tee

CENTURY 77

STRAND CENTURY 77 16P LIGHTING

# Strand Century Lekolite® Spotlight

6" x 12" (152 mm x 305 mm) 500W/750W

2331/2332

## Specifications

This unit shall be a 500W/750W ellipsoidal reflector spotlight with a medium prefocus socket to accommodate a tungsten-halogen or conventional incandescent lamp, a flatted ellipsoidal specular Alzak processed aluminum reflector, four push shutters and a template slot, all mounted within a die-cast aluminum housing.

The two 6" x 12" (152 mm x 305 mm) ground and polished Pyrex plano-convex lenses shall be mounted in a die-cast aluminum lens tube, designed to provide for sharp or soft definition of the beam without opening a slot for passage of stray light rays or allowing extraneous internal reflections from the lens tube. This tube shall be fitted with heavy duty color frame holders.

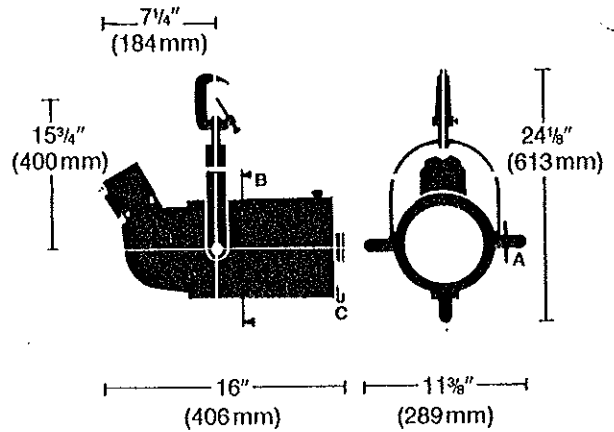
Conveniently located spring loaded latches shall permit ready removal of the burner housing for relamping or opening of the central body of the unit for cleaning.

The shutters and gate assembly shall be of special heat resisting alloys. Adequate ventilation shall be provided in the form of openings in the body completely surrounding the reflector, the lens tube and between the burner and reflector housing. Further reduction of the temperature shall be accomplished through the use of a finned heat sink around the lamp receptacle burner body.

Each unit shall be supplied with a malleable iron clamp to grip up to 2" (51 mm) pipe, a die-cast aluminum yoke with locking handles and 3' (0.9m) asbestos leads. Exterior finish shall be baked enamel and the entire unit shall be U.L. listed and CSA approved in Canada. Weight: 13 lbs. (5.9 kg.).

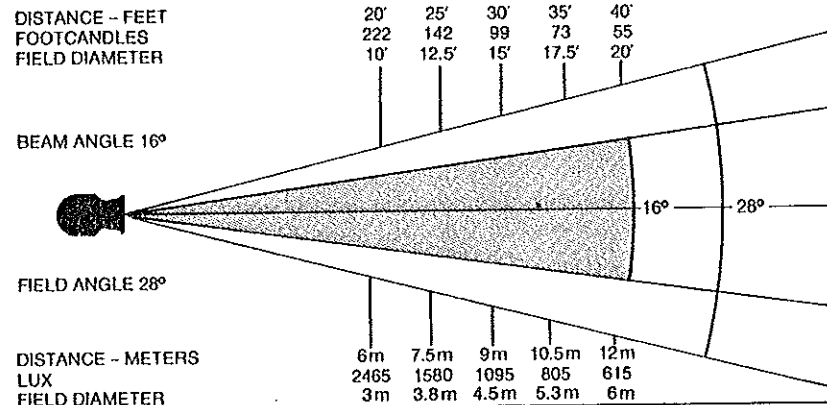
This unit shall have a 16° beam angle and a 28° field angle and shall produce 99 footcandles at 30' (1095 lux at 9m) maximum using an EGF lamp.

NOTE: To specify unit with Iris, use 2332.



- A Yoke adjustment knob
- B Push shutters
- C Color frame holder

## Photometrics



LAMP SHOWN: EGF 750 WATT 300 HOUR 3200°K  
 OTHER LAMPS: MULTIPLY INTENSITY BY FACTOR GIVEN (MF)

MF	LAMP
.5	EGE 500 WATT 2000 HOUR 3000°K
.65	EGC/EGD 500 WATT 300 HOUR 3100°K
.75	EGG 750 WATT 2000 HOUR 3000°K

$$\text{FOOTCANDLES} = \frac{88,800}{\text{Distance}^2 (\text{Ft})} \quad \text{LUX} = \frac{88,800}{\text{Distance}^2 (\text{m})}$$

$$\text{FIELD DIAMETER} = \text{Distance} \times .5$$

Beam Angle - where intensity drops to 50% of maximum

Field Angle - where intensity drops to 10% of maximum



# STRAND CENTURY

A COMPANY WITHIN THE RANK ORGANISATION

### STRAND CENTURY INC.

20 Bushes Lane  
 Elmwood Park, New Jersey 07407  
 U.S.A.

Tel: (201) 791-7000 (212) 564-6910  
 Telex: 130322

### STRAND CENTURY INC.

5432 West 102nd Street  
 Los Angeles, California 90045  
 U.S.A.

Tel: (213) 776-4600  
 Telex: 653508

### STRAND CENTURY LIMITED

6334 Viscount Road  
 Mississauga, Ontario, Canada  
 L4V 1H3

Tel: (416) 677-130  
 Telex: 06968646